

# USERS GUIDE

## G20-LED



## Contents

Introduction .....	1
1. Safety Notes .....	2
2. Assembly .....	2
3. Product Size .....	3
4. Working Voltage and Connection .....	3
4.1 Working Voltage .....	4
4.2 Connection .....	4
5. Functions and Key Pad .....	4
5.1 Functions .....	4
5.2 Control and Setting Items.....	5
5.3 Display Area .....	5
5.4 Communications Protocol .....	5
5.5 Key Pad .....	6
5.6 Serial Code .....	6
6. Quality and Warranty .....	7
7. Version.....	8

## Introduction

Congratulations on purchasing your e-bike smart display. Before use, please read through this manual. It is important to acknowledge all the **WARNINGS, SAFETY NOTES AND INSTRUCTIONS**. This manual will walk you through assembly, settings and operations of Sciwil display products in easy steps, to facilitate operations on your e-bike.

## 1. Safety Notes

PLEASE TAKE CAUTION WHEN USE, DO NOT PLUG OR UNPLUG THE DISPLAY WHILE YOUR E-BIKE IS POWERED ON.



AVOID CLASHES OR BUMPS TO THE DISPLAY.



DO NOT TEAR THE WATER-PROOF FILM ON THE SURFACE OF THE SCREEN, OTHERWISE THE WATER-TIGHT PERFORMANCE OF THE PRODUCT MAY BE DEGRADED.

DISPLAY WATER-PROOF RATE: IP6



UNAUTHORIZED ADJUSTMENT TO DEFAULT SETTINGS IS NOT SUGGESTED, OTHERWISE NORMAL USE OF YOUR E-BIKE CAN NOT BE GUARANTEED.



WHEN THE DISPLAY PRODUCT DOES NOT WORK PROPERLY, PLEASE SEND THE IT FOR AUTHORIZED REPAIR IN TIME.

## 2. Assembly

Fix the display on the handlebar, adjust it to a proper facing angle. Make sure your e-bike is powered off, then plug the connector on the display to the connector on the controller (bus) to finish standard assembly.

## 3. Product Size

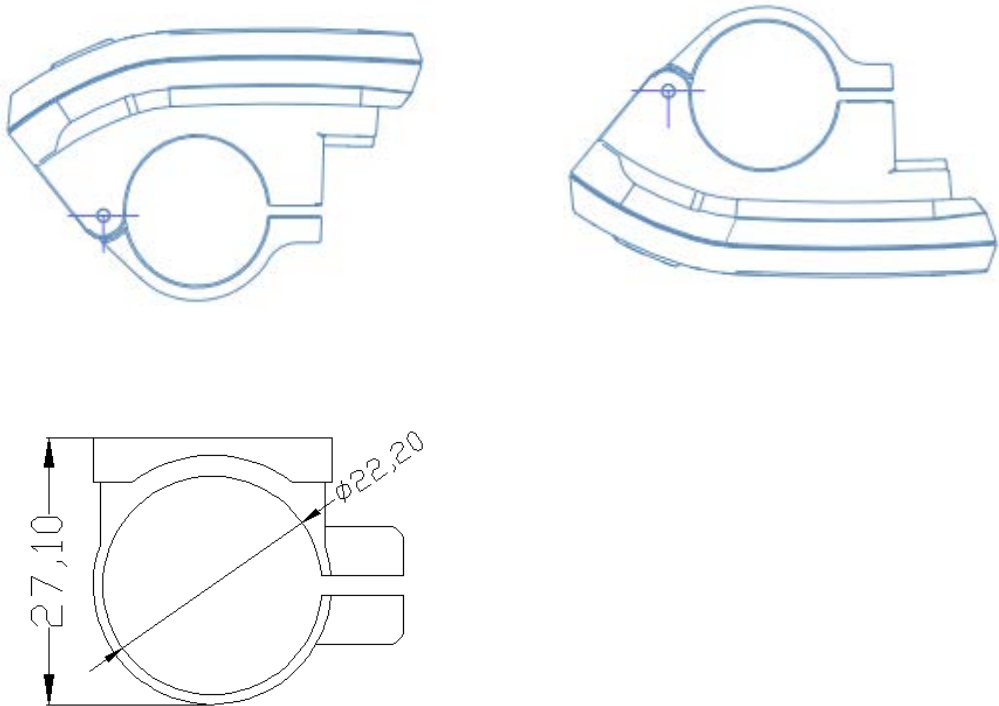
### Material

Shell Material: ABS

Screen Cover Material: High Hardness Acrylic (same hardness as tempered glass).

Working Temperature: -20°C~60°C.

### Product Size



## 4. Working Voltage and Connection

## 4.1 Working Voltage

DC 24V-60V compatible (can be set on display), other voltage level can be customized.

## 4.2 Connection



Connector to Controller    Display Cable Outlet Connector    Display Cable Coupling Connector

Note: Some products may use waterproof connectors, in which case the internal wire arrangements cannot be identified from outside.

## 5 Functions and Key Pad

### 5.1 Functions

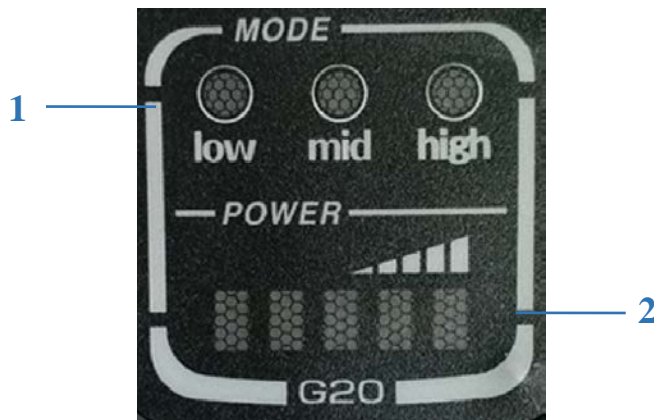
These are items displayed on G20:

- Battery Level
- PAS Level

## 5.2 Control and Setting Items

PAS Level PWM Setting

## 5.3 Display Area



1. PAS Status Indication Area

2. Battery Level

## 5.4 Communications Protocol: UART

## 5.5 Key Pad

Key pad position:



There are 3 keys on G20 display. In following introductions:



is called "On/Off" ,



is called "Plus" ,



is called "Minus" .

## Operations:

- **Switch On/Off Display**

- Press and hold On/Off to switch on or off the display.
- When the display is on but the static current is under 1 $\mu$ A, the display will automatically turn off after 10 minutes (or any set time by P04).

- **PAS/Throttle Level**

- During riding, press Plus or Minus to change PAS/Throttle level.

## 5.6 Serial Code

Each Sciwil display product bears a unique Serial Code on the back shell

(as shown in the photo below): 192 2 1 210603011





Explanation to the above Serial Code:

**192:** Customer Code

**2:** Protocol Code

**1:** Program can be overridden (0 means can not be overridden)

**210603011:** P.O. (purchase order number)

## 6 Quality and Warranty

In compliance with local laws and normal usage, the limited warranty period covers 24 months after the date of manufacturing (as indicated by the serial number).

The limited warranty shall not be transferred to a third party other than as specified in the agreement with Sciwil.

Other situations may be covered, depending on the agreement between Sciwil and the buyer.

### **Warranty Exclusions:**

1. Sciwil products that have been modified or repaired without authorization
2. Sciwil products that have been used for rental, commercial applications, or competition
3. Damage resulting from causes other than defects in material or manufacturing process, including but not limited to an accident, neglect, improper assembly,

improper repair, maintenance alteration, modification, abnormal excessive wear or improper use.

4. Damage due to buyer' s improper transportation or storage, and damage during shipping (the responsible party should be determined using INCOTERMS regulations).
5. Damage to the surface after leaving factory, including shell, screen, buttons, or other appearance parts.
6. Damage to wiring and cables after leaving factory, including breaks and exterior scratch.
7. Failure due to an improper user configuration or unauthorized changes in the relevant accessories parameters, or debugging by the users or the third party.
8. Damage or loss due to force majeure.
9. Beyond the warranty period.

## 7 **Version**

This display user manual is in compliance with the general software version (V1.0) of Changzhou Sciwil E-Mobility Technology Co., Ltd. There are chances that display products on some e-bikes may have a different software version, which should be subject to the actual version in use.